

MVS Mount/MVS

Conversion Kit



Picture is a representation of actual product.

The MVS utilizes the center-loaded double-ended shear beam load cell design. The mount is self-centering, which eliminates the need of costly check rods. This results in a pendulum suspension effect that eliminates binding, protects the load cells from damaging side load common on truck scales and automatically returns the mount to dead center. The mount is easy to install and promises high performance and long life.

Complete Kit Includes

- Four to 10 RL75058-75,000 lb load cells with 35 ft or 60 ft cables
- Four to 10 MVS mounts
- JB 8SPT junction box (JB1010 on 10 module kit)
- 100 ft of our hostile environment EL147HE SURVIVOR® load cell cable

Standard Features

- Capacity design: 10,000-125,000 lb (4536.0-34,019.4 kg)
- Mild steel construction
- Specially hardened center link
- Self-checking design
- Self-centering design
- Accommodates thermal expansion and contraction

Optional Features

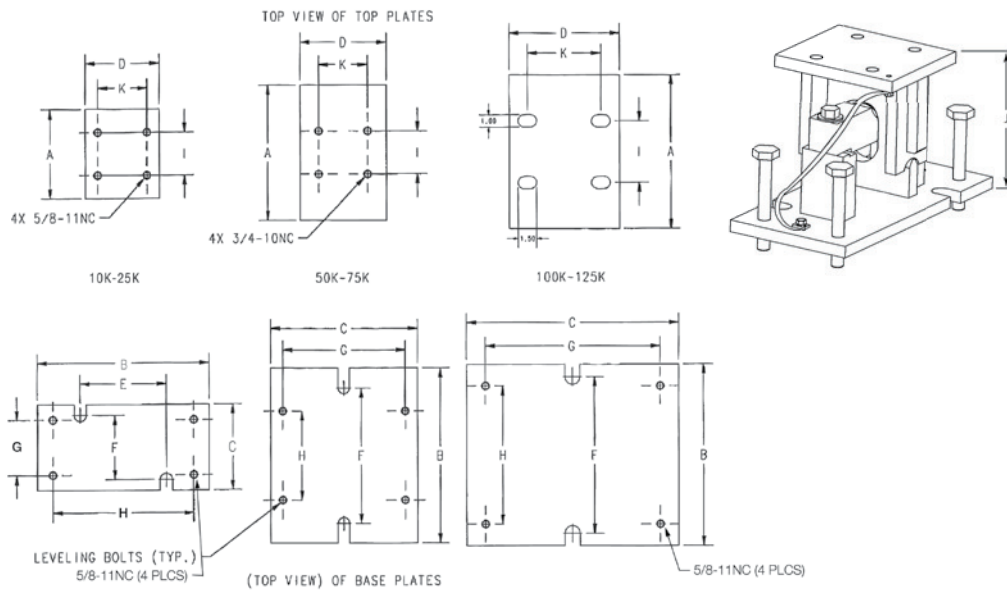
- VPG® Sensortronics 65058 or VPG Celtron CLB

Applications

- Truck scale conversion
- Heavy-capacity horizontal tanks

Load Cell Certifications





Dimensions

Rated Capacity	A	B	C	D	E	F	G	H	I	J	K
lb/in											
10,000-25,000	7.25	14.00	7.00	6.00	7.00	5.25	4.50	11.50	3.50	8.50	4.00
50,000-75,000	11.00	14.25	12.00	7.00	—	11.00	10.00	7.25	3.50	11.53	4.00
100,000-125,000	12.50	14.75	17.25	9.00	—	12.75	14.25	11.25	5.00	14.21	6.00
kg/mm											
4,536.0-11,340.0	184.2	355.6	177.8	152.4	177.8	133.5	114.3	292.1	88.9	215.9	101.6
22,679.6-34,019.4	279.4	362.0	304.8	177.8	—	279.4	254	184.15	88.9	292.9	101.6
45,360-56,700.0	317.50	374.7	438.2	228.6	—	323.9	362.0	285.8	127.0	360.9	152.4

Order Information

Load Rating (Per Module)	Part#	Price
MVS Mount (Does NOT Include Load Cell)		
10,000 lb-25,000 lb	4,536 kg-11,340 kg	71200 Consult
50,000 lb-75,000 lb	22,679.6 kg-34,019.4 kg	46441 Consult
100,000 lb-125,000 lb	45,360 kg-56,700.0 kg	68520 Consult
MVS Conversion Kits (Includes 75,000 lb* Load Cells, Mounts and Junction Box)		
4-module kit		68495 Consult
6-module kit		68496 Consult
8-module kit		68497 Consult
10-module kit		68498 Consult
Dummy Load Cell		
50 lb-75,000 lb		169388 Consult
100,000 lb-125,000 lb		159696 Consult

Custom heights available; Consult
 * Consult for other capacity requirements