

# EZ Mount 1

Mild Steel Weigh Modules, Rice Lake Weighing Systems



Available in configurations with three or four mounting assemblies.

Picture is a representation of actual product

The EZ Mount 1 Series weigh modules utilize the double-ended beam design with an articulating top plate to provide superior accuracy in any loading condition. The double-ended beam design means there is less cumbersome hardware and each module has a lower profile than modules of different configurations. NTEP Certified and FM approved RL70000 Series load cells give you accuracy and dependability in many applications, including intrinsically safe and explosion proof areas.

Module with RL70000 double-ended shear beam load cell.



## Complete Kit Includes

- 1 JB4SS NEMA 4X stainless steel signal trim junction box
- 3 or 4 EZ Mount 1 mild steel compression mounts
- 3 or 4 RL70000 double-ended shear beam load cells
- 25 ft of our Hostile Environment EL147HE SURVIVOR® load cell cable

## Applications

- Medium-to heavy-capacity tank and hopper weighing applications

## Standard Features

- Capacities (per module): 5000-250,000 lb (2268-113,398.1 kg)
- NTEP Certified load cells
- Unique sliding pin design compensates for thermal expansion/contraction
- Self-checking
- Easy load cell replacement
- Simplified design allows bolting directly to tank and floor
- Center-loaded double-ended shear beam design
- Low-profile design
- Painted mild steel construction

## Optional Features

- Kits available with Revere Transducers 5103 load cell, capacities in 5000-150,000 lb (2268.0-68,039.0 kg)
- Refer to page 87 for shims

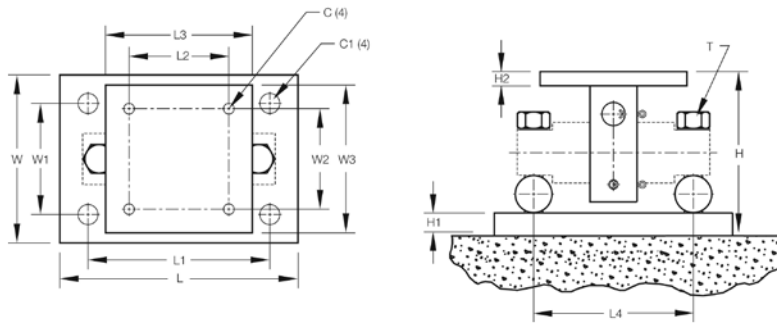
## Load Cell Certifications



NOTE: Check with your local weights & measure officials for suitability in Legal for Trade applications.

# EZ Mount 1

Mild Steel Weigh Modules, Rice Lake Weighing Systems



## Dimensions

RATED CAPACITY	C	C1	H	H1	H2	L	L1	L2	L3	L4	T	W	W1	W2	W3	
<b>lb/inches</b>																
5000-20,000	.56	1.06	5.31	.75	.50	11.00	8.00	3.00	6.00	6.87	5/8-18 UNF	7.50	4.00	3.00	6.00	
30,000-60,000	.68	1.19	8.43	1.00	.75	15.00	11.50	5.12	8.00	8.50	1-14 UNS	10.00	6.00	5.12	8.00	
100,000	.81	1.38	10.37	1.25	1.25	18.00	14.00	7.50	10.00	9.50	1-14 UNS	12.00	9.00	7.50	10.00	
150,000	.81	1.38	10.37	1.25	1.25	18.00	14.00	7.50	10.00	9.50	1-14 UNS	12.00	9.00	7.50	10.00	
200,000-250,000	1.06	1.88	16.75	2.00	2.00	26.00	20.00	9.00	12.00	13.00	1 1/2-12 UNS	12.00	6.00	9.00	12.00	
<b>kg/mm</b>																
2268.0-9071.9	14.2	26.9	134.9	19.1	12.7	279.4	203.2	76.2	152.4	174.5	5/8-18 UNF	190.5	101.6	76.2	152.4	
13,607.8-27,215.5	17.3	30.2	214.1	25.4	19.1	381.0	292.1	130.0	203.2	215.9	1-14 UNS	254.0	152.4	130.1	203.2	
45,359.2	20.6	35.1	263.4	31.8	31.8	457.2	355.6	190.5	254.0	241.3	1-14 UNS	304.8	228.6	190.5	254.0	
68,039.0	20.6	35.1	263.4	31.8	31.8	457.2	355.6	190.5	254.0	241.3	1-14 UNS	304.8	228.6	190.5	254.0	
90,718.5-113,398.1	26.9	47.8	425.5	50.8	50.8	660.4	508.0	228.6	304.8	330.2	1 1/2-12 UNS	304.8	152.4	228.6	304.8	

## EZ Mount 1 Mild Steel Order Information

LOAD RATING (PER MODULE)	PART #	PRICE
<b>Single Module (Does NOT Include Load Cell)</b>		
5000-20,000 lb (2268.0-9071.9 kg)	17823	Consult
30,000-60,000 lb (13,607.8-27,215.5 kg)	17824	Consult
100,000 lb (45,359.2 kg)	17850	Consult
150,000 lb (68,039.0 kg)	29012	Consult
200,000-250,000 lb (90,719-113,398.4 kg)	26068	Consult
<b>3-Module Kit</b>		
5000 lb (2268.0 kg)	18163	Consult
10,000 lb (4535.9 kg)	18164	Consult
20,000 lb (9071.9 kg)	18165	Consult
30,000 lb (13,607.8 kg)	32164	Consult
40,000 lb (18,143.7 kg)	32167	Consult
50,000 lb (22,679.6 kg)	18166	Consult
60,000 lb (27,215.5 kg)	18167	Consult
100,000 lb (45,359.2 kg)	18168	Consult
150,000 lb (68,040 kg)	43290	Consult
<b>4-Module Kit</b>		
5000 lb (2268.0 kg)	18169	Consult
10,000 lb (4535.9 kg)	18170	Consult
20,000 lb (9071.9 kg)	18171	Consult
30,000 lb (13,607.8 kg)	32165	Consult
40,000 lb (18,143.7 kg)	32166	Consult
50,000 lb (22,679.6 kg)	18172	Consult
60,000 lb (27,215.5 kg)	18173	Consult
100,000 lb (45,359.2 kg)	18174	Consult
150,000 lb (68,040 kg)	43291	Consult

## RTI EZ Mount 1 Mild Steel Order Information

LOAD RATING (PER MODULE)	PART #	PRICE
<b>3-Module Kit</b>		
5000 lb (2268.0 kg)	18175	Consult
10,000 lb (4535.9 kg)	18176	Consult
20,000 lb (9071.9 kg)	18177	Consult
30,000 lb (13,607.8 kg)	32169	Consult
40,000 lb (18,143.7 kg)	32171	Consult
50,000 lb (22,679.6 kg)	18178	Consult
60,000 lb (27,215.5 kg)	18179	Consult
100,000 lb (45,359.2 kg)	18180	Consult
150,000 lb (68,039.0 kg)	18181	Consult
<b>4-Module Kit</b>		
5000 lb (2268.0 kg)	18182	Consult
10,000 lb (4535.9 kg)	18183	Consult
20,000 lb (9071.9 kg)	18184	Consult
30,000 lb (13,607.8 kg)	32170	Consult
40,000 lb (18,143.7 kg)	32172	Consult
50,000 lb (22,679.6 kg)	18185	Consult
60,000 lb (27,215.5 kg)	18186	Consult
100,000 lb (45,359.2 kg)	18187	Consult
150,000 lb (68,039.0 kg)	18188	Consult
<b>Dummy Load Cells</b>		
5000-20,000 lb	33749	Consult
30,000-60,000 lb	74016	Consult
100,000 lb	94175	Consult
150,000 lb	158715	Consult
<b>Grounding Kit</b>		
126419	5K-60K, includes ground strap and mounting hardware	Consult